

LEPS

Loadlink Engineering Products & Services

Adding value to your business with our niche loadcell products/systems

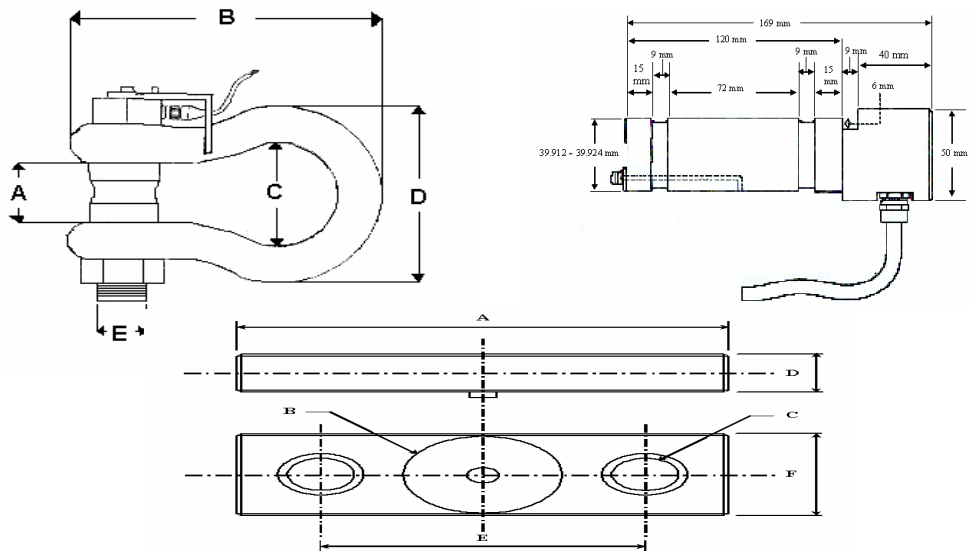
Address: 51 Bukit Batok Crescent, #02-06, Unity Centre, Singapore 658077

Fax : 63166 158

Contact: Gan CC(9684 8170)

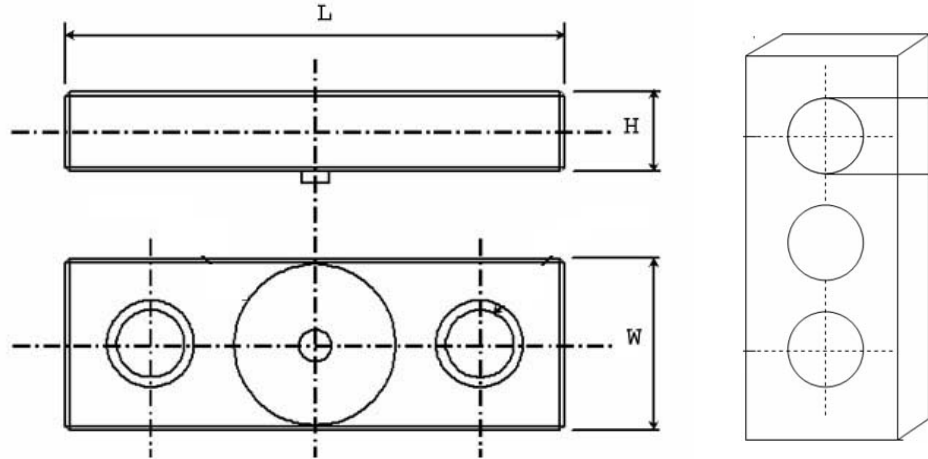
LEPS LOADCELL PRODUCTS DATA LIBRARY

(SAMPLES of some available types. DUE TO
CONTINUOUS DEVELOPMENT, Loadlink Engineering
Products & Services reserves the right to change the
specifications without notice)



Website: www.loadcell.com.sg

Product Data Library– Tensile Loadlinks



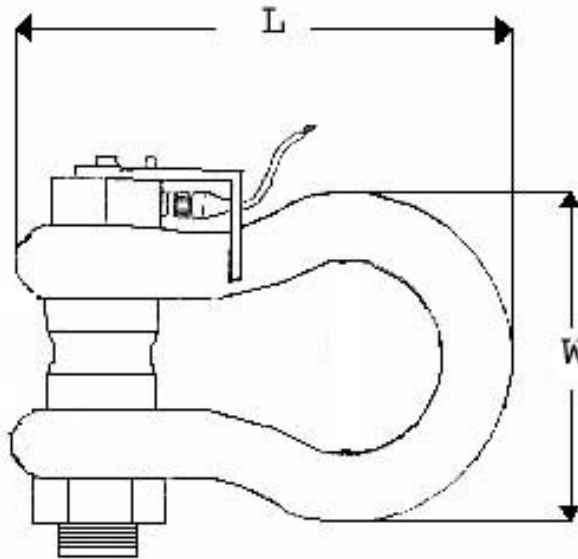
Typical Dimension

Load Cap. (Ton)	>10	10 - 20	20 - 25	40-50	>50
L x W x H (mm)	220 x 86 x 25	236 x 89 x 25	340 x 110 x 50	410 x 152 x 52	480 x 170 x 58

Typical Technical Specifications

Over Load (Rated)	150 % of capacity w/o damage; 300 % capacity w/o failure
Load (Proof)	150 % of Rated Load
Load (Safe side)	100 % or Rated Load
Sensing Element	Full bridge 1000 ohm strain gages
output	1 mV/V 4 wires, 4-20mA, 2 & 3 wires type
Calibration accuracy	Less than ± 1 % full. Scale nominal capacity including hysteresis, repeatability and non-linearity based on best graphical straight line
Temperature range	-15 °C ~ + 55 °C operating; -40 °C ~ + 85 °C storage
Temperature effects	Less than ± 0.01 % of capacity sensitivity shift per °C and less than ± 0.01 % of capacity zero shift per °C over operating
construction	High tensile chrome plate

Product Data Library– Shackle Loadcells



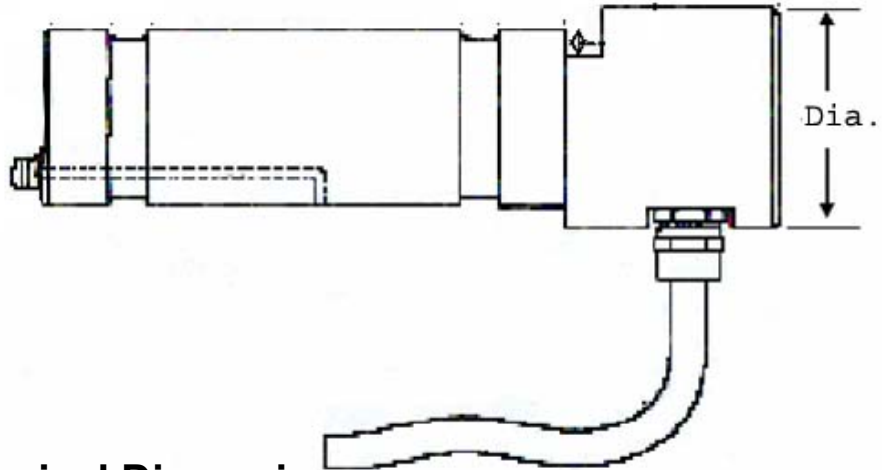
Typical Dimension

Load Cap. (Ton)	6.5	9.5	17	25	55	120	150
L x W (mm)	102 x 148	132 x 190	175 x 255	255 x 313	326 x 455	420 x 625	467 x 652

Typical Technical Specifications

Over Load (Rated)	150 % of capacity w/o damage; 300 % capacity w/o failure
Load (Proof)	150 % of Rated Load
Load (Safe side)	100 % or Rated Load
Sensing Element	Full bridge 2000 ohm strain gages
output	1 mV/V 4 wires, 4-20mA, 2 & 3 wires type
Calibration accuracy	Less than ± 1 % full. Scale nominal capacity including hysteresis, repeatability and non-linearity based on best graphical straight line
Temperature range	-15 °C ~ + 55 °C operating; -40 °C ~ + 85 °C storage
Temperature effects	Less than ± 0.01 % of capacity sensitivity shift per °C and less than ± 0.01 % of capacity zero shift per °C over operating
construction	High strength stainless / high tensile steel

Product Data Library– Loadpins



Typical Dimension

Load Cap. (Ton)	5	10	20	50	100	200	500	1000
Diameter (mm)	29	35	47	72	95	132	200	285

Typical Technical Specifications

Over Load (Rated)	150 % of capacity w/o damage; 300 % capacity w/o failure
Load (Proof)	150 % of Rated Load
Load (Safe side)	100 % or Rated Load
Sensing Element	Full bridge 2000 ohm strain gages
output	1 mV/V 4 wires, 4-20mA, 2 & 3 wires type
Calibration accuracy	Less than ± 1 % full. Scale nominal capacity including hysteresis, repeatability and non-linearity based on best graphical straight line
Temperature range	-15 °C ~ + 55 °C operating; -40 °C ~ + 85 °C storage
Temperature effects	Less than ± 0.01 % of capacity sensitivity shift per °C and less than ± 0.01 % of capacity zero shift per °C over operating
construction	High strength stainless steel

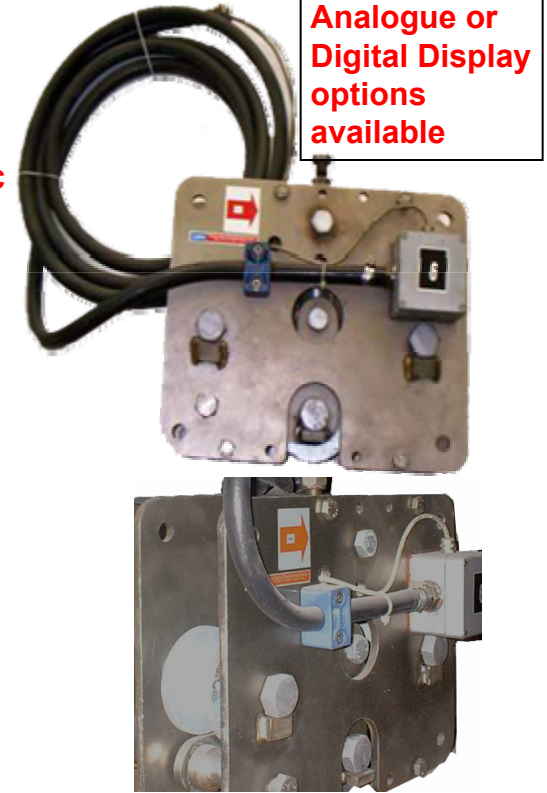
LEPS

Adding value to your business with our niche loadcell products/systems

LEPS Product – Anchor Winch Load, Displacement & Speed Monitoring System (Dynaline)

Up to 150 Mton with 3-sheave tensionmeter, 50 m multicore screened PUR cable, watertight cable plugs/socket, mountable water proof LED portable panel meters with alarm, pay in-payout and tachometer, power supply 110/220 AC or 24VDC,

Typical range of 28 mm to 52 mm diameter



Technical Specifications

Over Load (Rated)	150 % of capacity w/o damage; 300 % capacity w/o failure
Load (Proof)	150 % of Rated Load
Load (Safe side)	100 % or Rated Load
Sensing Element	Full bridge 1000 ohm strain gages
output	1 mV/V at rated capacity with 5 vdc excitation supply
Calibration accuracy	Less than ± 1 % full. Scale nominal capacity including hysteresis, repeatability and non-linearity based on best graphical straight line
Temperature range	-15 °C ~ + 55 °C operating; -40 °C ~ + 85 °C storage
Temperature effects	Less than ± 0.01 % of capacity sensitivity shift per °C and less than ± 0.01 % of capacity zero shift per °C over operating
construction	High strength Stainless Steel

LEPS Product – Hydraulic Dynaline System

hydraulic anchor mooring dynaline, up to 52 mm rope diameter, 3-sheave, with hydraulic hose/force gauge



Technical Specifications

Over Load (Rated)	150 % of capacity w/o damage; 300 % capacity w/o failure
Load (Proof)	150 % of Rated Load
Load (Safe side)	100 % or Rated Load
Sensing Element	Full bridge 1000 ohm strain gages
output	1 mV/V at rated capacity with 5 vdc excitation supply
Calibration accuracy	Less than ± 1 % full. Scale nominal capacity including hysteresis, repeatability and non-linearity based on best graphical straight line
Temperature range	-15 °C ~ + 55 °C operating; -40 °C ~ + 85 °C storage
Temperature effects	Less than ± 0.01 % of capacity sensitivity shift per °C and less than ± 0.01 % of capacity zero shift per °C over operating
construction	High strength steel

LEPS

Adding value to your business with our niche loadcell products/systems

LEPS Product – Crane Load Monitoring System



Technical Specifications

Over Load (Rated)	150 % of capacity w/o damage; 300 % capacity w/o failure
Load (Proof)	150 % of Rated Load
Load (Safe side)	100 % or Rated Load
Sensing Element	Full bridge 1000 ohm strain gages
output	1 mV/V at rated capacity with 5 vdc excitation supply
Calibration accuracy	Less than ± 1 % full. Scale nominal capacity including hysteresis, repeatability and non-linearity based on best graphical straight line
Temperature range	-15 °C ~ + 55 °C operating; -40 °C ~ + 85 °C storage
Temperature effects	Less than ± 0.01 % of capacity sensitivity shift per °C and less than ± 0.01 % of capacity zero shift per °C over operating
construction	High strength steel